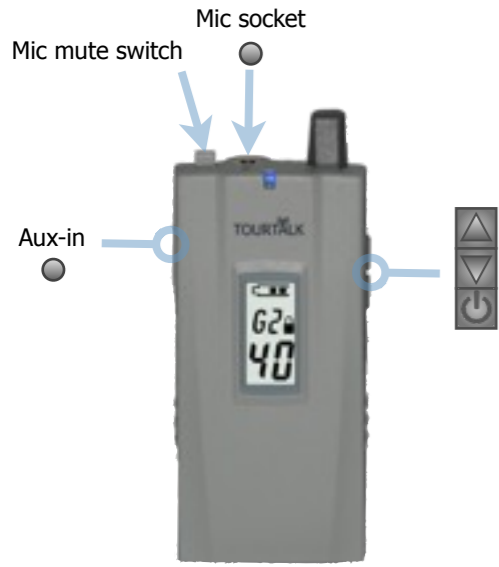


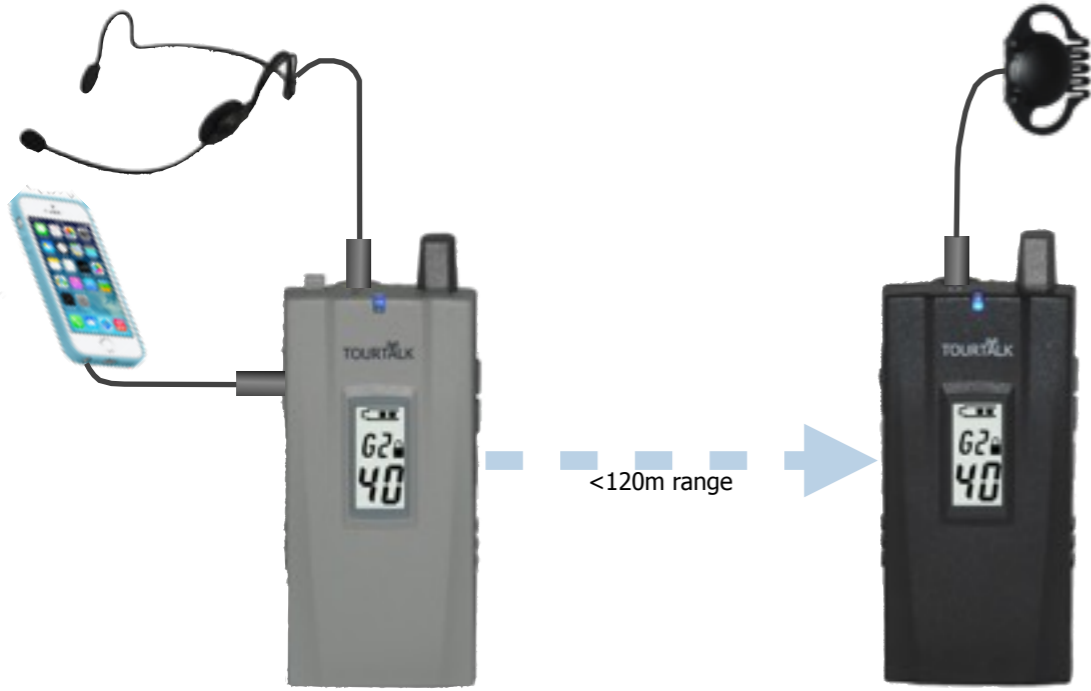
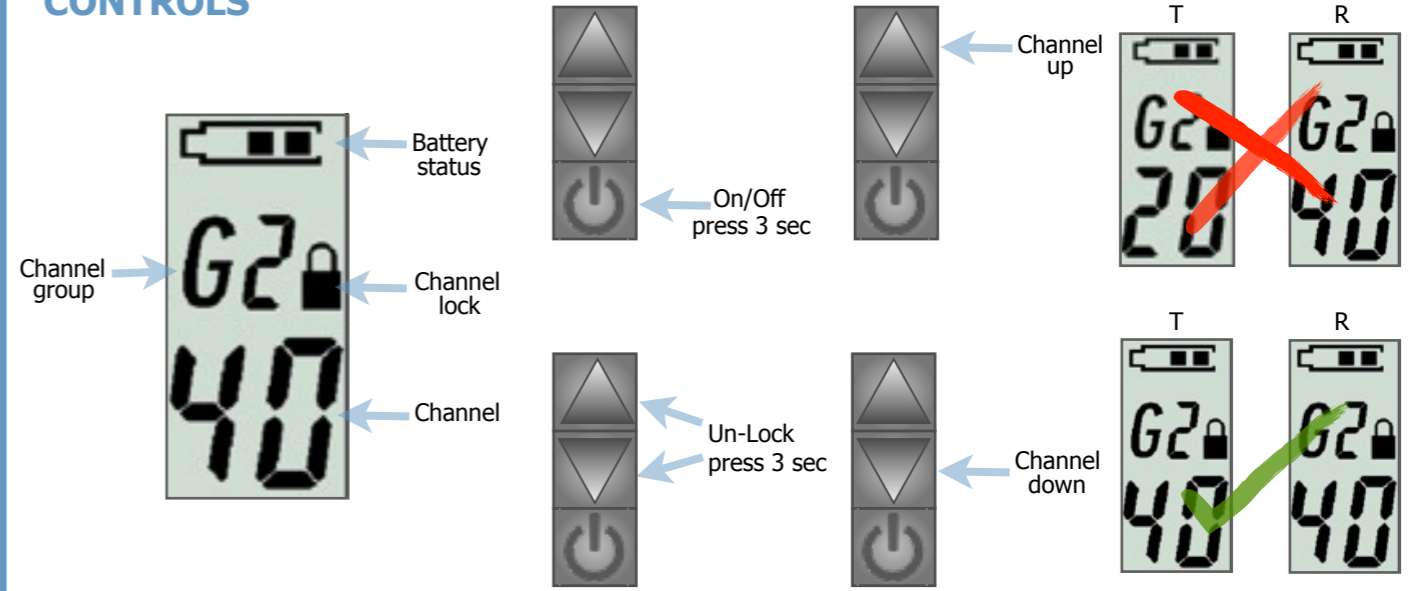
TT 40-T TRANSMITTER



TT 40-R RECEIVER



CONTROLS



TT-C25 CHARGER



TOUR TALK TT 40 system-Quick Guide

For more information please refer to the system handbook.

This can be downloaded from:-

www.tourtalksystem.com